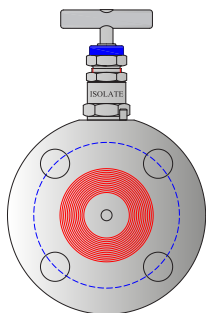




Manifold monoflangia  
Monoflange manifold

MANIFOLD MONOFLANGIA  
MONOFLANGE MANIFOLD



Questo manifold a montaggio diretto è adatto per isolare il processo nelle tubazioni orizzontali o verticali con attacchi flangiati.

**Condizioni di impiego:** Secondo il rating della flangia prescelta.

**Attacco lato processo:** flangiato, adatto per flange in accordo ad ANSI B16.5

**Attacco allo strumento:** 1/2" NPT-F  
Altre filettature su richiesta

Baderne in Teflon come standard fino a 180°C. Per temperature fino a 500°C si forniscono baderne in Graphoil.

**Materiali:** 316/316L  
Altri materiali su richiesta

*For direct and close mounting to the flange connection of process isolating valves on horizontal and vertical pipe lines.*

**Operationg Conditions:** According with the selected flange rating.

**Process connection:** flanged in accordance with ANSI B16.5

**Instrument connection:** 1/2" NPT-F  
Other thread on request

*Packing material PTFE as standard max temperature 180° C. For temperature until 500°C, Graphoil.*

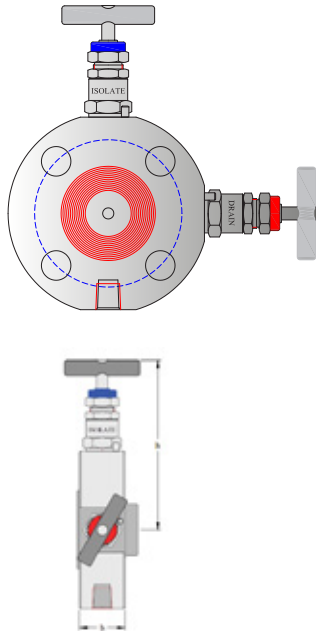
**Material:** 316/316L  
Other material on request

CODICE CODE	CONFIGURAZIONE CONFIGURATION		FLANGE RATING	MATERIALE MATERIAL
	Inlet	Outlet		
12.02.14.01.00010001	Flange 1/2" RF	1/2" NPT-F	Ansi 150 RF	316/316L
12.02.14.01.00010002	Flange 3/4" RF	1/2" NPT-F	Ansi 150 RF	316/316L
12.02.14.01.00010003	Flange 1" RF	1/2" NPT-F	Ansi 150 RF	316/316L
12.02.15.01.00010001	Flange 1/2" RF	1/2" NPT-F	Ansi 300 RF	316/316L
12.02.15.01.00010002	Flange 3/4" RF	1/2" NPT-F	Ansi 300 RF	316/316L
12.02.15.01.00010003	Flange 1" RF	1/2" NPT-F	Ansi 300 RF	316/316L
12.02.16.01.00010001	Flange 1/2" RF	1/2" NPT-F	Ansi 600 RF	316/316L
12.02.16.01.00010002	Flange 3/4" RF	1/2" NPT-F	Ansi 600 RF	316/316L
12.02.16.01.00010003	Flange 1" RF	1/2" NPT-F	Ansi 600 RF	316/316L
12.02.17.01.00010001	Flange 1/2" RF	1/2" NPT-F	Ansi 900 RF	316/316L
12.02.17.01.00010002	Flange 3/4" RF	1/2" NPT-F	Ansi 900 RF	316/316L
12.02.17.01.00010003	Flange 1" RF	1/2" NPT-F	Ansi 900 RF	316/316L
12.02.18.01.00010001	Flange 1/2" RF	1/2" NPT-F	Ansi 1500 RF	316/316L
12.02.18.01.00010002	Flange 3/4" RF	1/2" NPT-F	Ansi 1500 RF	316/316L
12.02.18.01.00010003	Flange 1" RF	1/2" NPT-F	Ansi 1500 RF	316/316L
12.02.19.01.00010001	Flange 1/2" RF	1/2" NPT-F	Ansi 2500 RF	316/316L
12.02.19.01.00010002	Flange 3/4" RF	1/2" NPT-F	Ansi 2500 RF	316/316L
12.02.19.01.00010003	Flange 1" RF	1/2" NPT-F	Ansi 2500 RF	316/316L



Manifold monoflangia  
Monoflange manifold

MANIFOLD MONOFLANGIA  
MONOFLANGE MANIFOLD



Questo manifold a montaggio diretto è adatto per isolare il processo nelle tubazioni orizzontali o verticali con attacchi flangiati.

*For direct and close mounting to the flange connection of process isolating valves on horizontal and vertical pipe lines.*

**Condizioni di impiego:** Secondo il rating della flangia prescelta.

**Operating Conditions:** According with the selected flange rating

**Attacco lato processo:** flangiato, adatto per flange in accordo ad ANSI B16.5

**Process connection:** flanged in accordance with ANSI B16.5

**Attacco allo strumento:** 1/2" NPT-F

**Instrument connection:** 1/2" NPT-F

**Attacco di spurgo:** 1/4" NPT-F

**Drain connection:** 1/4" NPT-F

Altre filettature su richiesta

Other thread on request

Baderne in Teflon come standard fino a 180°C. Per temperature fino a 500°C si forniscono baderne in Graphoil.

*Packing material PTFE as standard max temperature 180° C. For temperature until 500°C, Graphoil.*

**Materiali:** 316/316L

**Material:** 316/316L

Altri materiali su richiesta

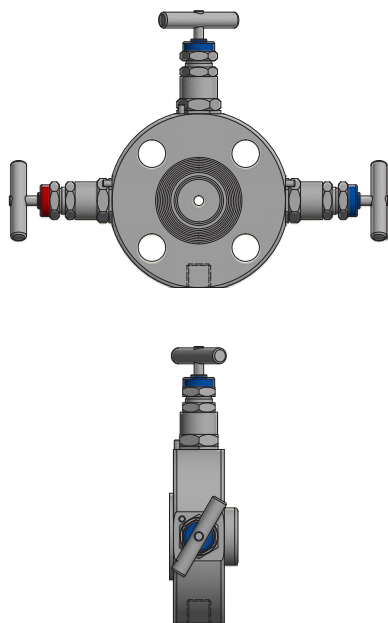
Other material on request

CODICE CODE	CONFIGURAZIONE CONFIGURATION			FLANGE RATING	MATERIALE MATERIAL
	Inlet	Outlet	Drain		
12.02.14.01.00010004	Flange 1/2" RF	1/2" NPT-F	1/4" NPT -F	Ansi 150 RF	316/316L
12.02.14.01.00010005	Flange 3/4" RF	1/2" NPT-F	1/4" NPT -F	Ansi 150 RF	316/316L
12.02.14.01.00010006	Flange 1" RF	1/2" NPT-F	1/4" NPT -F	Ansi 150 RF	316/316L
12.02.15.01.00010004	Flange 1/2" RF	1/2" NPT-F	1/4" NPT -F	Ansi 300 RF	316/316L
12.02.15.01.00010005	Flange 3/4" RF	1/2" NPT-F	1/4" NPT -F	Ansi 300 RF	316/316L
12.02.15.01.00010006	Flange 1" RF	1/2" NPT-F	1/4" NPT -F	Ansi 300 RF	316/316L
12.02.16.01.00010004	Flange 1/2" RF	1/2" NPT-F	1/4" NPT -F	Ansi 600 RF	316/316L
12.02.16.01.00010005	Flange 3/4" RF	1/2" NPT-F	1/4" NPT -F	Ansi 600 RF	316/316L
12.02.16.01.00010006	Flange 1" RF	1/2" NPT-F	1/4" NPT -F	Ansi 600 RF	316/316L
12.02.17.01.00010004	Flange 1/2" RF	1/2" NPT-F	1/4" NPT -F	Ansi 900 RF	316/316L
12.02.17.01.00010005	Flange 3/4" RF	1/2" NPT-F	1/4" NPT -F	Ansi 900 RF	316/316L
12.02.17.01.00010006	Flange 1" RF	1/2" NPT-F	1/4" NPT -F	Ansi 900 RF	316/316L
12.02.18.01.00010004	Flange 1/2" RF	1/2" NPT-F	1/4" NPT -F	Ansi 1500 RF	316/316L
12.02.18.01.00010005	Flange 3/4" RF	1/2" NPT-F	1/4" NPT -F	Ansi 1500 RF	316/316L
12.02.18.01.00010006	Flange 1" RF	1/2" NPT-F	1/4" NPT -F	Ansi 1500 RF	316/316L
12.02.19.01.00010004	Flange 1/2" RF	1/2" NPT-F	1/4" NPT -F	Ansi 2500 RF	316/316L
12.02.19.01.00010005	Flange 3/4" RF	1/2" NPT-F	1/4" NPT -F	Ansi 2500 RF	316/316L
12.02.19.01.00010006	Flange 1" RF	1/2" NPT-F	1/4" NPT -F	Ansi 2500 RF	316/316L



## Manifold monoflangia Monoflange manifold

### MANIFOLD MONOFLANGIA MONOFLANGE MANIFOLD



Questo manifold a montaggio diretto è adatto per isolare il processo nelle tubazioni orizzontali o verticali con attacchi flangiati.

*For direct and close mounting to the flange connection of process isolating valves on horizontal and vertical pipe lines.*

**Condizioni di impiego:** Secondo il rating della flangia prescelta.

**Operating Conditions:** According with the selected flange rating

**Attacco lato processo:** flangiato, adatto per flange in accordo ad ANSI B16.5

**Process connection:** flanged in accordance with ANSI B16.5

**Attacco allo strumento:** 1/2" NPT-F

**Instrument connection:** 1/2" NPT-F

**Attacco di spurgo:** 1/4" NPT-F

**Drain connection:** 1/4" NPT-F

Altre filettature su richiesta

Other thread on request

Baderne in Teflon come standard fino a 180°C. Per temperature fino a 500°C si forniscono baderne in Graphoil.

*Packing material PTFE as standard max temperature 180° C. For temperature until 500°C, Graphoil.*

**Materiali:** 316/316L

**Material:** 316/316L

Altri materiali su richiesta

Other material on request

CODICE CODE	CONFIGURAZIONE CONFIGURATION			FLANGE RATING	MATERIALE MATERIAL
	Inlet	Outlet	Drain		
12.02.14.01.00010007	Flange 1/2" RF	1/2" NPT-F	1/4" NPT-F	Ansi 150 RF	316/316L
12.02.14.01.00010008	Flange 3/4" RF	1/2" NPT-F	1/4" NPT-F	Ansi 150 RF	316/316L
12.02.14.01.00010009	Flange 1" RF	1/2" NPT-F	1/4" NPT-F	Ansi 150 RF	316/316L
12.02.15.01.00010007	Flange 1/2" RF	1/2" NPT-F	1/4" NPT-F	Ansi 300 RF	316/316L
12.02.15.01.00010008	Flange 3/4" RF	1/2" NPT-F	1/4" NPT-F	Ansi 300 RF	316/316L
12.02.15.01.00010009	Flange 1" RF	1/2" NPT-F	1/4" NPT-F	Ansi 300 RF	316/316L
12.02.16.01.00010007	Flange 1/2" RF	1/2" NPT-F	1/4" NPT-F	Ansi 600 RF	316/316L
12.02.16.01.00010008	Flange 3/4" RF	1/2" NPT-F	1/4" NPT-F	Ansi 600 RF	316/316L
12.02.16.01.00010009	Flange 1" RF	1/2" NPT-F	1/4" NPT-F	Ansi 600 RF	316/316L
12.02.17.01.00010007	Flange 1/2" RF	1/2" NPT-F	1/4" NPT-F	Ansi 900 RF	316/316L
12.02.17.01.00010008	Flange 3/4" RF	1/2" NPT-F	1/4" NPT-F	Ansi 900 RF	316/316L
12.02.17.01.00010009	Flange 1" RF	1/2" NPT-F	1/4" NPT-F	Ansi 900 RF	316/316L
12.02.18.01.00010007	Flange 1/2" RF	1/2" NPT-F	1/4" NPT-F	Ansi 1500 RF	316/316L
12.02.18.01.00010008	Flange 3/4" RF	1/2" NPT-F	1/4" NPT-F	Ansi 1500 RF	316/316L
12.02.18.01.00010009	Flange 1" RF	1/2" NPT-F	1/4" NPT-F	Ansi 1500 RF	316/316L
12.02.19.01.00010007	Flange 1/2" RF	1/2" NPT-F	1/4" NPT-F	Ansi 2500 RF	316/316L
12.02.19.01.00010008	Flange 3/4" RF	1/2" NPT-F	1/4" NPT-F	Ansi 2500 RF	316/316L
12.02.19.01.00010009	Flange 1" RF	1/2" NPT-F	1/4" NPT-F	Ansi 2500 RF	316/316L