

FLAT BAR (PRP)						
CODE			DIMENSIONS			WEIGHT (Kg/mt)
GROUP	MATERIAL	TYPE	L (mt)	B (mm)	S (mm)	
AC	ZC	PRP 030000 L6MT40	6	30	4	0.94
AC	ZC	PRP 030000 L6MT60	6	30	6	1.41
AC	ZC	PRP 040000 L6MT40	6	40	4	1.26
AC	ZC	PRP 040000 L6MT60	6	40	6	1.88
AC	ZC	PRP 050000 L6MT60	6	50	6	2.36
AC	ZC	PRP 050000 L6MT80	6	50	8	3.14
AC	ZC	PRP 060000 L6MT60	6	80	6	3.77
AC	ZC	PRP 080000 L6MT80	6	80	8	5.02
AC	ZC	PRP 080000 L6MTD0	6	80	10	6.28
AC	ZC	PRP 100000 L6MT80	6	100	8	6.28
AC	ZC	PRP 100000 L6MTD0	6	100	10	7.85

MATERIALS	
ZC	HDG

Made in hot dip galvanized carbon steel, also available on request in raw carbon steel.

BEAMS (HEB)							
CODE			DIMENSIONS			THICKNESS	WEIGHT (Kg/mt)
GROUP	MATERIAL	TYPE	L (mt)	B (mm)	A (mm)		
AC	ZC	HEB 100100L6MT60	6	100	100	6	20.4
AC	ZC	HEB120120L6MT65	6	120	120	6.5	26.7
AC	ZC	HEB140140L6MT70	6	140	140	7	33.7
AC	ZC	HEB160160L6MT80	6	160	160	8	42.6
AC	ZC	HEB180180L6MT85	6	180	180	8.5	51.2
AC	ZC	HEB200200L6MT90	6	200	200	9	61.3
AC	ZC	HEB220220L6MT95	6	220	220	9.5	71.5
AC	ZC	HEB240240L6MTD0	6	240	240	10	83.2
AC	ZC	HEB260260L6MTD0	6	260	260	10	93
AC	ZC	HEB28028L6MTD0	6	280	280	10.5	103
AC	ZC	HEB300300L6MTD1	6	300	300	11	117

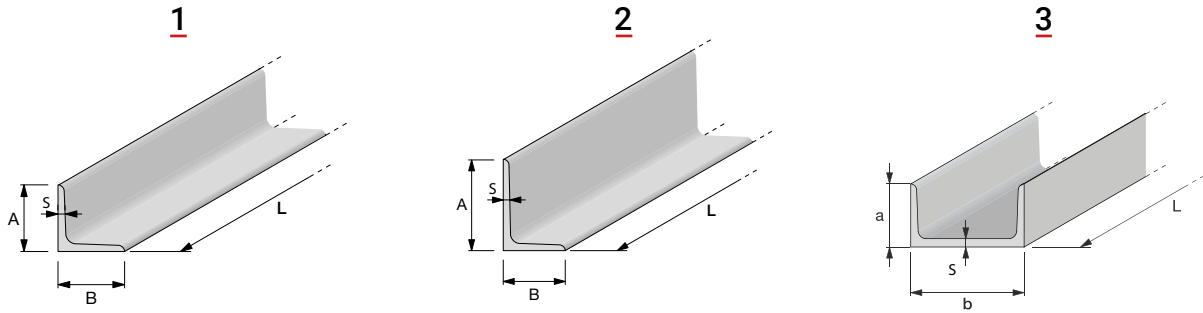
MATERIALS	
ZC	HDG

Made in raw carbon steel, also available in HDG

BEAMS (IPE)							
CODE			DIMENSIONS			THICKNESS	WEIGHT (Kg/mt)
GROUP	MATERIAL	TYPE	L (mt)	B (mm)	A (mm)		
AC	ZC	IPE 046080L6MT38	6	46	80	3.8	6
AC	ZC	IPE 055100L6MT41	6	55	100	4.1	8.1
AC	ZC	IPE 064120L6MT44	6	64	120	4.4	10.4
AC	ZC	IPE 073140L6MT47	6	73	140	4.7	12.9
AC	ZC	IPE 082160L6MT50	6	82	160	5	15.8
AC	ZC	IPE 091180L6MT53	6	91	180	5.3	18.8
AC	ZC	IPE 100200L6MT56	6	100	200	5.6	22.4
AC	ZC	IPE 110220L6MT59	6	110	220	5.9	26.2
AC	ZC	IPE 120240L6MT62	6	120	240	6.2	30.7
AC	ZC	IPE 135270L6MT66	6	135	270	6.6	36.1
AC	ZC	IPE 150300L6MT71	6	150	300	7.1	42.2

MATERIALS	
ZC	HDG

Made in raw carbon steel, also available in HDG



ANGLE BEAM WITH EQUAL SIDES (1)						
CODE			DIMENSIONS			WEIGHT (Kg/mt)
GROUP	MATERIAL	TYPE	L (mt)	A (mm)	S (mm)	
AC	ZC	PRL 015015L6MT30	6	15	3	0.64
AC	ZC	PRL 020020L6MT30	6	20	3	0.88
AC	ZC	PRL 030030L6MT30	6	30	3	1.36
AC	ZC	PRL 035035L6MT50	6	35	5	2.57
AC	ZC	PRL 040040L6MT50	6	40	5	2.97
AC	ZC	PRL 045045L6MT50	6	45	5	3.38
AC	ZC	PRL 050050L6MT50	6	50	5	3.77
AC	ZC	PRL 060060L6MT60	6	60	6	5.42
AC	ZC	PRL 070070L6MT70	6	70	7	7.38
AC	ZC	PRL 080080L6MT80	6	80	8	9.66
AC	ZC	PRL 090090L6MT80	6	90	8	10.9
AC	ZC	PRL 100100L6MTD0	6	100	10	15.1
AC	ZC	PRL 120120L6MTD0	6	120	10	18.2
AC	ZC	PRL 140140L6MTD05	6	140	15	31.4

MATERIALS	
ZC	HDG

Made in hot dip galvanized carbon steel, also available on request in raw carbon steel.

ANGLE BEAM WITH DIFFERENT SIDES (2)							
CODE			DIMENSIONS				WEIGHT (Kg/mt)
GROUP	MATERIAL	TYPE	L (mt)	B (mm)	A (mm)	S (mm)	
AC	ZC	PRL 020030L6MT40	6	20	30	4	1.45
AC	ZC	PRL 020035L6MT40	6	20	35	4	1.62
AC	ZC	PRL 020040L6MT50	6	20	40	5	2.17
AC	ZC	PRL 030045L6MT50	6	30	45	5	2.77
AC	ZC	PRL 030050L6MT50	6	30	50	5	2.96
AC	ZC	PRL 030060L6MT50	6	30	60	5	3.37
AC	ZC	PRL 040060L6MT60	6	40	60	6	4.46
AC	ZC	PRL 050075L6MT60	6	50	75	6	5.65
AC	ZC	PRL 060080L6MT60	6	60	80	6	6.37
AC	ZC	PRL 050100L6MT80	6	50	100	8	8.99
AC	ZC	PRL 075100L6MT80	6	75	100	8	10.56
AC	ZC	PRL 060120L6MTD0	6	60	120	10	13.4
AC	ZC	PRL 065130L6MTD0	6	65	130	10	14.6
AC	ZC	PRL 070150L6MTD1	6	75	150	11	18.8

MATERIALS	
ZC	HDG

Made in hot dip galvanized carbon steel, also available on request in raw carbon steel.

ANGLE BEAM WITH DIFFERENT SIDES (3)							
CODE			DIMENSIONS				WEIGHT (Kg/mt)
GROUP	MATERIAL	TYPE	L (mt)	B (mm)	A (mm)	S (mm)	
AC	ZC	PRL 020030L6MT40	6	20	30	4	1.45
AC	ZC	PRL 020035L6MT40	6	20	35	4	1.62
AC	ZC	PRL 020040L6MT50	6	20	40	5	2.17
AC	ZC	PRL 030045L6MT50	6	30	45	5	2.77
AC	ZC	PRL 030050L6MT50	6	30	50	5	2.96
AC	ZC	PRL 030060L6MT50	6	30	60	5	3.37
AC	ZC	PRL 040060L6MT60	6	40	60	6	4.46
AC	ZC	PRL 050075L6MT60	6	50	75	6	5.65
AC	ZC	PRL 060080L6MT60	6	60	80	6	6.37
AC	ZC	PRL 050100L6MT80	6	50	100	8	8.99
AC	ZC	PRL 075100L6MT80	6	75	100	8	10.56

MATERIALS	
ZC	HDG

Made in hot dip galvanized carbon steel, also available on request in raw carbon steel.