

**Execution:**  
 II 2 G Ex d IIC T6/T5/T4 Gb  
 II 2 G Ex d [ia] IIC T6 Gb  
 II 2 D Ex tb IIIC T85°C/T100°C/T135°C  
 Db IP66  
 II 2 D Ex tb [ia] IIIC T85°C Db IP66

**Protection degree:** IP66

**Applicable standards:**  
 EN 60079-0, EN 60079-1, EN 60079-11,  
 EN 60079-31

**Ambient temperature:**  
 -50°C / +80°C

**Installation area:** zone 1 – 2 (Gas)  
 zone 21 – 22 (Dust)

**Material:** Copper free aluminium die cast

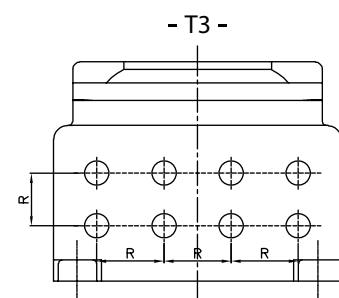
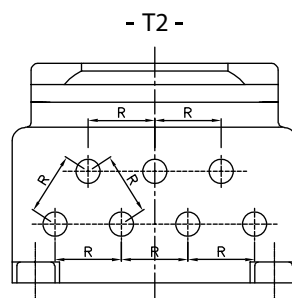
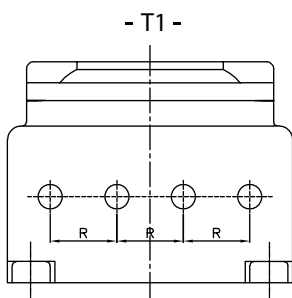
**External coating:** RAL 7000  
 Other colors on request.  
 Internal anticondensation coating  
 RAL 2004

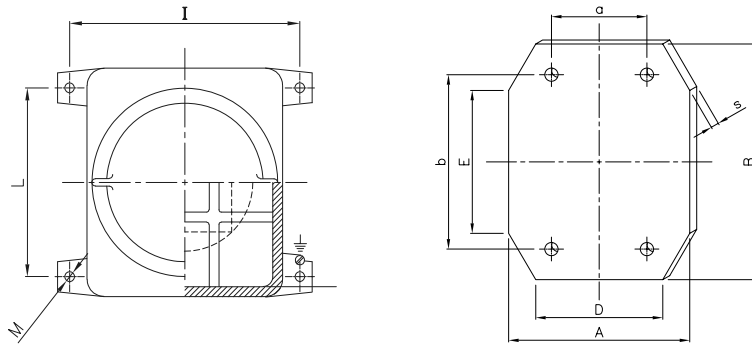
CODE	EXTERNAL DIMENSIONS (mm)			INTERNAL DIMENSIONS (mm)					WEIGHT (Kg)
	A	B	C	E	F	G	N	Ø	
GUB00	150	150	110	122	122	90	80	95	2.9
GUB01	165	165	120	137	137	100	90	110	3.5
GUB02	190	190	150	160	160	122	110	125	5.6
GUB03	225	255	172	193	223	145	130	156	10.4
GUB04	270	305	202	238	273	160	145	190	14.6
GUB05	300	340	240	264	304	190	175	217	21.3

CODE	SIDE	GUIDE FOR ENTRIES DEFINING																															
		M20-1/2"			M25-3/4"			M32-1"			M40-1"1/4			M50-1"1/2			M63-2"			M75-2"1/2			M80-3"			M90-4"							
		R	SCH.			R	SCH.			R	SCH.			R	SCH.			R	SCH.			R	SCH.			R	SCH.						
	T1	T2	T3	T1	T2	T3	T1	T2	T3	T1	T2	T3	T1	T2	T3	T1	T2	T3	T1	T2	T3	T1	T2	T3	T1	T2	T3	T1	T2	T3			
GUB00	L	45	3	5	-	50	2	-	-	60	2	-	-	-	1	-	-	-	1	-	-	-	-	-	-	-	-	-	-	-	-		
	S	45	3	5	-	50	2	-	-	60	2	-	-	-	1	-	-	-	1	-	-	-	-	-	-	-	-	-	-	-	-		
GUB01	L	45	3	5	6	45	3	5	-	45	3	-	-	75	2	-	-	75	2	-	-	-	1	-	-	-	-	-	-	-	-		
	S	45	3	5	6	45	3	5	-	45	3	-	-	75	2	-	-	75	2	-	-	-	1	-	-	-	-	-	-	-	-		
GUB02	L	45	4	7	8	50	3	5	6	50	3	5	6	90	2	-	-	90	2	-	-	-	1	-	-	-	-	-	-	-	-		
	S	45	4	7	8	50	3	5	6	50	3	5	6	90	2	-	-	90	2	-	-	-	1	-	-	-	-	-	-	-	-		
GUB03	L	45	5	9	10	45	5	9	10	55	4	7	8	80	3	-	-	80	3	-	-	100	2	-	-	115	2	-	-	1	-	-	
	S	45	4	7	8	45	4	7	8	55	3	5	6	90	2	-	-	90	2	-	-	100	2	-	-	1	-	-	-	1	-	-	
GUB04	L	45	6	11	12	45	6	11	12	55	4	7	8	80	3	-	-	80	3	-	-	95	3	-	-	130	2	-	-	130	2	-	-
	S	45	5	9	10	45	4	7	8	55	4	7	8	80	3	-	-	80	3	-	-	100	2	-	-	120	2	-	-	1	-	-	
GUB05	L	45	7	13	14	45	7	13	14	60	5	9	10	100	3	-	-	100	3	-	-	100	3	-	-	150	2	-	-	150	2	-	-
	S	45	6	11	12	45	6	11	12	60	4	7	8	80	3	-	-	95	3	-	-	90	3	-	-	150	2	-	-	140	2	-	-

**Note:**  
 Available threads: · NTP ANSI B1.20.1 · ISO Metric. x1,5 ISO 956  
 Side legend: · L= Long side · S= Short side

This table is indicative only. The quantity of the entrances / cable glands are valid only after Technical Office approval.  
 Other entries possibilities are available on request.





CODE	INSTALLATION TEMPLATES (mm)		
	I	L	M
GUB00	175	125	8
GUB01	190	140	8
GUB02	215	165	8
GUB03	260	220	10
GUB04	300	270	10
GUB05	330	300	10

CODE	INTERNAL PLATES								Weight (g)
	DIMENSIONS (mm)					INTERNAL FASTENING			
	A	B	D	E	s	a	b	ØC	
PC00	105	105	42	92	2	40	90	M6	160
PC01	120	120	48	100	2	48	100	M6	210
PC02	140	140	70	124	2	58	120	M6	380
PC03	160	190	75	150	2	70	147	M6	620
PC04	200	230	88	182	2	85	182	M6	900
PC05	215	265	100	207	2	100	207	M6	1170