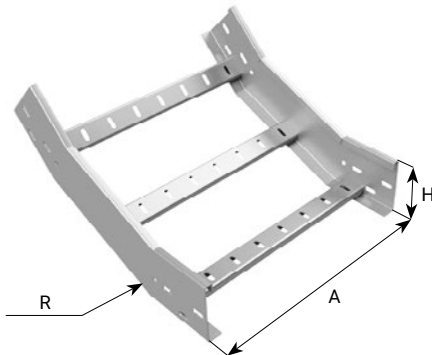


MATERIALS	
ZC	HDG
04	STAINLESS STEEL AISI 304L
16	STAINLESS STEEL AISI 316L

INSIDE ELBOWS 90° (PK)								COVERS			
CODE			DIMENSIONS (mm)			THICKNESS (mm)	WEIGHT (Kg/mt)	CODE	DIMENSIONS (mm)	THICKNESS (mm)	WEIGHT (Kg/pcs)
GROUP	MATERIAL	TYPE	A	H	R						
PK	ZC	S90	100	100	600	1,5	4,00	CA ZC S90	100	100	1,10
PK	ZC	S90	150	100	600	1,5	4,30	CA ZC S90	150	150	1,60
PK	ZC	S90	200	100	600	1,5	4,50	CA ZC S90	200	200	2,00
PK	ZC	S90	300	100	600	1,5	5,00	CA ZC S90	300	300	2,80
PK	ZC	S90	400	100	600	1,5	5,50	CA ZC S90	400	400	3,60
PK	ZC	S90	450	100	600	1,5	5,80	CA ZC S90	450	450	4,10
PK	ZC	S90	500	100	600	1,5	6,00	CA ZC S90	500	500	4,60
PK	ZC	S90	600	100	600	1,5	6,50	CA ZC S90	600	600	5,50

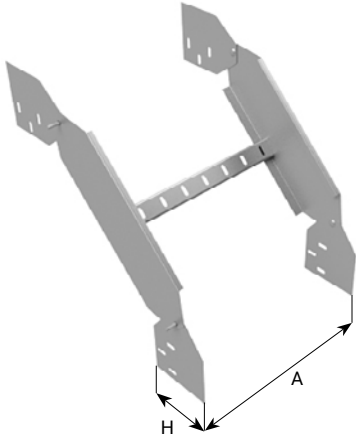
Other dimensions, thickness and bend radius are on request



MATERIALS	
ZC	HDG
04	STAINLESS STEEL AISI 304L
16	STAINLESS STEEL AISI 316L

INSIDE ELBOWS 45° (PK)								COVERS			
CODE			DIMENSIONS (mm)			THICKNESS (mm)	WEIGHT (Kg/mt)	CODE	DIMENSIONS (mm)	THICKNESS (mm)	WEIGHT (Kg/pcs)
GROUP	MATERIAL	TYPE	A	H	R						
PK	ZC	S45	100	100	600	1,5	2,20	CA ZC S45	100	1	0,60
PK	ZC	S45	150	100	600	1,5	2,30	CA ZC S45	150	1	0,80
PK	ZC	S45	200	100	600	1,5	2,50	CA ZC S45	200	1	1,00
PK	ZC	S45	300	100	600	1,5	2,80	CA ZC S45	300	1	1,30
PK	ZC	S45	400	100	600	1,5	3,10	CA ZC S45	400	1	1,80
PK	ZC	S45	450	100	600	1,5	3,30	CA ZC S45	450	1	2,00
PK	ZC	S45	500	100	600	1,5	3,40	CA ZC S45	500	1	2,20
PK	ZC	S45	600	100	600	1,5	3,70	CA ZC S45	600	1	2,60

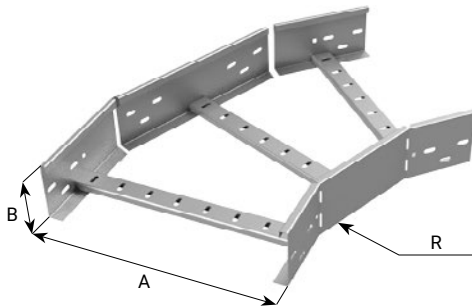
Other dimensions, thickness and bend radius are on request



MATERIALS	
ZC	HDG
04	STAINLESS STEEL AISI 304L
16	STAINLESS STEEL AISI 316L

ADJUSTABLE VERTICAL ELBOWS (PK)								COVERS			
CODE			DIMENSIONS (mm)			THICKNESS (mm)	WEIGHT (Kg/mt)	CODE	DIMENSIONS (mm)	THICKNESS (mm)	WEIGHT (Kg/pcs)
GROUP	MATERIAL	TYPE	A	H	R			GROUP	A		
PK	ZC	CSN	100	100	600	1,5	2,10	CA ZC CSN	100	1	0,60
PK	ZC	CSN	150	100	600	1,5	2,15	CA ZC CSN	150	1	0,80
PK	ZC	CSN	200	100	600	1,5	2,20	CA ZC CSN	200	1	1,00
PK	ZC	CSN	300	100	600	1,5	2,30	CA ZC CSN	300	1	1,30
PK	ZC	CSN	400	100	600	1,5	2,40	CA ZC CSN	400	1	1,80
PK	ZC	CSN	450	100	600	1,5	2,45	CA ZC CSN	450	1	2,00
PK	ZC	CSN	500	100	600	1,5	2,50	CA ZC CSN	500	1	2,20
PK	ZC	CSN	600	100	600	1,5	2,60	CA ZC CSN	600	1	2,60

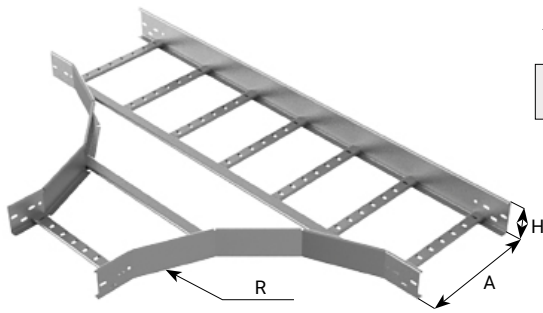
Other dimensions, thickness and bend radius are on request, increasing the number of internal elements



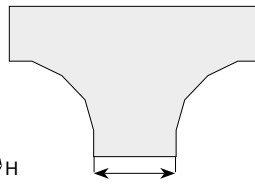
MATERIALS	
ZC	HDG
04	STAINLESS STEEL AISI 304L
16	STAINLESS STEEL AISI 316L

ADJUSTABLE HORIZONTAL ELBOWS (PK)								COVERS			
CODE			DIMENSIONS (mm)			THICKNESS (mm)	WEIGHT (Kg/mt)	CODE	DIMENSIONS (mm)	THICKNESS (mm)	WEIGHT (Kg/pcs)
GROUP	MATERIAL	TYPE	A	H	R			GROUP	A		
PK	ZC	CSO	100	100	300	1,5	2,98	CA ZC CSO	100	1	1,1
PK	ZC	CSO	150	100	300	1,5	3,35	CA ZC CSO	150	1	1,5
PK	ZC	CSO	200	100	300	1,5	3,72	CA ZC CSO	200	1	1,9
PK	ZC	CSO	300	100	300	1,5	4,45	CA ZC CSO	300	1	2,8
PK	ZC	CSO	400	100	300	1,5	5,19	CA ZC CSO	400	1	3,8
PK	ZC	CSO	450	100	300	1,5	5,55	CA ZC CSO	450	1	4,4
PK	ZC	CSO	500	100	300	1,5	5,92	CA ZC CSO	500	1	5,0
PK	ZC	CSO	600	100	300	1,5	6,66	CA ZC CSO	600	1	6,2

Other dimensions, thicknesses and bend radius 600 are on request



*Reduced T derivation (DTR)



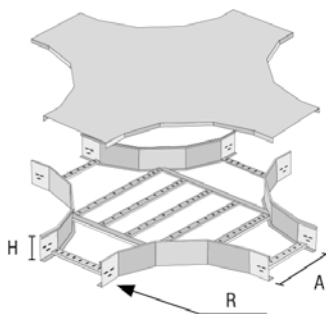
X = Variable if reduced T derivation

MATERIALS	
ZC	HDG
04	STAINLESS STEEL AISI 304L
16	STAINLESS STEEL AISI 316L

T DERIVATIONS (PK)							
CODE			DIMENSIONS (mm)			THICKNESS (mm)	WEIGHT (Kg/mt)
GROUP	MATERIAL	TYPE	A	H	R		
PK	ZC	DTP	100	100	600	1,5	8,20
PK	ZC	DTP	150	100	600	1,5	8,70
PK	ZC	DTP	200	100	600	1,5	9,30
PK	ZC	DTP	300	100	600	1,5	10,40
PK	ZC	DTP	400	100	600	1,5	11,60
PK	ZC	DTP	450	100	600	1,5	12,30
PK	ZC	DTP	500	100	600	1,5	13,00
PK	ZC	DTP	600	100	600	1,5	14,30

COVERS					
CODE		DIMENSIONS (mm)		THICKNESS (mm)	WEIGHT (Kg/pcs)
GROUP		B			
CA ZC	DTP	100		1	3,90
CA ZC	DTP	150		1	4,80
CA ZC	DTP	200		1	5,70
CA ZC	DTP	300		1	7,80
CA ZC	DTP	400		1	10,00
CA ZC	DTP	450		1	11,10
CA ZC	DTP	500		1	12,40
CA ZC	DTP	600		1	14,90

Other dimensions, thickness and bend radius are on request



MATERIALS	
ZC	HDG
04	STAINLESS STEEL AISI 304L
16	STAINLESS STEEL AISI 316L

CROSS ELEMENTS (PK)							
CODE			DIMENSIONS (mm)			THICKNESS (mm)	WEIGHT (Kg/mt)
GROUP	MATERIAL	TYPE	A	H	R		
PK	ZC	DXP	100	100	600	1,5	10,90
PK	ZC	DXP	150	100	600	1,5	11,40
PK	ZC	DXP	200	100	600	1,5	12,00
PK	ZC	DXP	300	100	600	1,5	13,30
PK	ZC	DXP	400	100	600	1,5	14,70
PK	ZC	DXP	450	100	600	1,5	15,40
PK	ZC	DXP	500	100	600	1,5	16,10
PK	ZC	DXP	600	100	600	1,5	17,60

COVERS					
CODE		DIMENSIONS (mm)		THICKNESS (mm)	WEIGHT (Kg/pcs)
GROUP		B			
CA ZC	DXP	100		1	6,00
CA ZC	DXP	150		1	7,20
CA ZC	DXP	200		1	8,40
CA ZC	DXP	300		1	10,90
CA ZC	DXP	400		1	13,60
CA ZC	DXP	450		1	15,00
CA ZC	DXP	500		1	16,50
CA ZC	DXP	600		1	19,50

Other dimensions, thicknesses and bend radius are on request