

Execution:

II 2 G Ex d IIC T6/T5/T4 Gb
 II 2 G Ex d [ia] IIC T6 Gb
 II 2 D Ex tb IIIC T85°C/T100°C/
 T135°C Db IP66
 II 2 D Ex tb [ia] IIIC T85°C Db IP66

Protection degree:

IP66
 IP67

Applicable standards:

EN 60079-0, EN 60079-1, EN 60079-11,
 EN 60079-31

Ambient temperature:

-50°C / +40°C
 -50°C / +80°C

Installation area: zone 1 – 2 (Gas)

zone 21 – 22 (Dust)

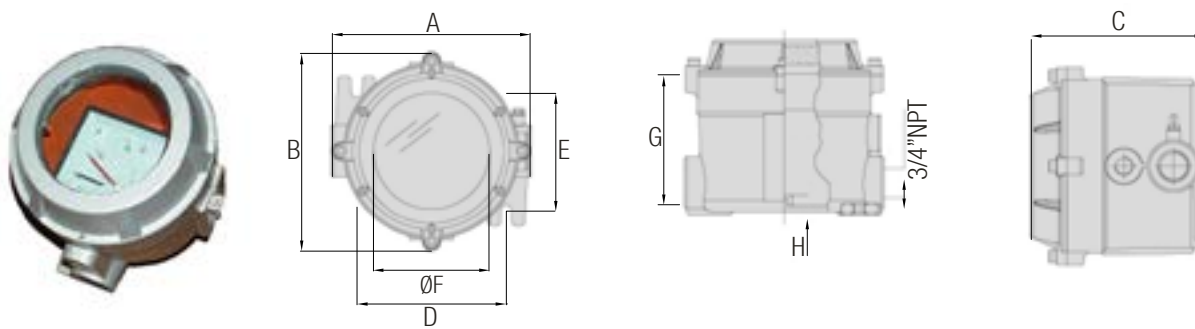
Material: Copper free aluminium die cast

External coating: RAL 7000

Other colors on request
 Internal anti-condensation coating
 RAL 2004 on request.

CODE	DIMENSIONS (mm) (A x B x C)	WINDOW	WEIGHT (Kg)
GUB 00-WN	150 x 150 x 110	82	3,0
GUB 01-WN	165 x 165 x 120	96	3,7
GUB 02-WN	190 x 190 x 150	115	5,8
GUB 03-WN	225 x 255 x 172	140	10,7
GUB 04-WN	270 x 305 x 202	165	14,8
GUB 05-WN	300 x 340 x 240	195	21,0

CODE	DIMENSIONS (mm) (A x B x C)	WINDOW	WEIGHT (Kg)
GUB 000-WN	150 x 150 x 170-200	82	3,15
GUB 011-WN	165 x 165 x 180-220	96	3,8
GUB 022-WN	190 x 190 x 239-289	115	7,0
GUB 033-WN	225 x 255 x 259-334	140	13,4
GUB 044-WN	270 x 305 x 305-380	165	19,0
GUB 055-WN	300 x 340 x 345-435	195	26,9



Execution:
Ex d IIC T6 Gb
Ex tb IIIC T85°C Db IP66

Protection Degree: IP66

Applicable standards:
EN 60079-0, EN 60079-1, EN 60079-31

Ambient temperature: -20°C / +52°C

Installation area: zone 1 – 2 (Gas)
zone 21 – 22 (Dust)

Material: Body and cover - Copper free aluminium die cast
Window - transparent tempered glass
Gasket - NBR O-Ring

CODE	DIMENSIONS (mm)								WEIGHT (Kg)	THREAD TYPE	DRAIN VALVE
	A	B	C	D	E	F	G	H			
01.10.01.01.04.00001	160	160	131	121	95	89	101	8	1,50	1x3/4"	NO
01.10.01.01.04.00002	160	160	131	121	95	89	101	8	1,50	2x3/4"	NO
01.10.01.01.04.00003	160	160	131	121	95	89	101	8	1,50	1x3/4"	YES
01.10.01.01.04.00004	160	160	131	121	95	89	101	8	1,50	2x3/4"	YES