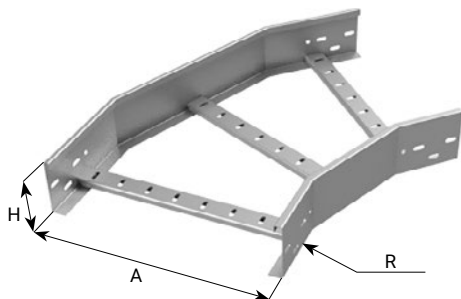


MATERIALS	
ZC	HDG
04	STAINLESS STEEL AISI 304L
16	STAINLESS STEEL AISI 316L

PLANE ELBOWS 90° (PK)							
CODE			DIMENSIONS (mm)			THICKNESS (mm)	WEIGHT (Kg/mt)
GROUP	MATERIAL	TYPE	A	H	R		
PK	ZC	P90	100	100	600	1,5	4,60
PK	ZC	P90	150	100	600	1,5	4,80
PK	ZC	P90	200	100	600	1,5	5,10
PK	ZC	P90	300	100	600	1,5	5,90
PK	ZC	P90	400	100	600	1,5	6,70
PK	ZC	P90	450	100	600	1,5	7,10
PK	ZC	P90	500	100	600	1,5	7,50
PK	ZC	P90	600	100	600	1,5	8,20

COVERS				
CODE		DIMENSIONS (mm)	THICKNESS (mm)	WEIGHT (Kg/pcs)
GROUP		A		
CA ZC P90		100	1	1,70
CA ZC P90		150	1	2,20
CA ZC P90		200	1	2,80
CA ZC P90		300	1	4,00
CA ZC P90		400	1	5,30
CA ZC P90		450	1	6,00
CA ZC P90		500	1	6,80
CA ZC P90		600	1	8,50

Other dimensions, thickness and bend radius are on request



MATERIALS	
ZC	HDG
04	STAINLESS STEEL AISI 304L
16	STAINLESS STEEL AISI 316L

PLANE ELBOWS 45° (PK)							
CODE			DIMENSIONS (mm)			THICKNESS (mm)	WEIGHT (Kg/mt)
GROUP	MATERIAL	TYPE	A	H	R		
PK	ZC	P45	100	100	600	1,5	2,30
PK	ZC	P45	150	100	600	1,5	2,50
PK	ZC	P45	200	100	600	1,5	2,80
PK	ZC	P45	300	100	600	1,5	3,20
PK	ZC	P45	400	100	600	1,5	3,60
PK	ZC	P45	450	100	600	1,5	3,90
PK	ZC	P45	500	100	600	1,5	4,10
PK	ZC	P45	600	100	600	1,5	4,50

COVERS				
CODE		DIMENSIONS (mm)	THICKNESS (mm)	WEIGHT (Kg/pcs)
GROUP		A		
CA ZC P45		100	1	0,90
CA ZC P45		150	1	1,20
CA ZC P45		200	1	1,40
CA ZC P45		300	1	2,10
CA ZC P45		400	1	2,80
CA ZC P45		450	1	3,20
CA ZC P45		500	1	3,50
CA ZC P45		600	1	4,40

Other dimensions, thickness and bend radius are on request

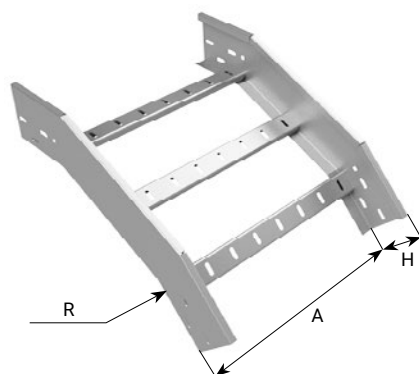


MATERIALS	
ZC	HDG
04	STAINLESS STEEL AISI 304L
16	STAINLESS STEEL AISI 316L

OUTSIDE ELBOWS 90° (PK)							
CODE			DIMENSIONS (mm)			THICKNESS (mm)	WEIGHT (Kg/mt)
GROUP	MATERIAL	TYPE	A	H	R		
PK	ZC	D90	100	100	600	1,5	4,50
PK	ZC	D90	150	100	600	1,5	4,70
PK	ZC	D90	200	100	600	1,5	5,00
PK	ZC	D90	300	100	600	1,5	5,50
PK	ZC	D90	400	100	600	1,5	6,00
PK	ZC	D90	450	100	600	1,5	6,30
PK	ZC	D90	500	100	600	1,5	6,50
PK	ZC	D90	600	100	600	1,5	7,00

COVERS				
CODE		DIMENSIONS (mm)	THICKNESS (mm)	WEIGHT (Kg/pcs)
GROUP		A		
CA ZC D90		100	1	1,50
CA ZC D90		150	1	2,00
CA ZC D90		200	1	2,40
CA ZC D90		300	1	3,30
CA ZC D90		400	1	4,40
CA ZC D90		450	1	4,80
CA ZC D90		500	1	5,30
CA ZC D90		600	1	6,40

Other dimensions, thickness and bend radius are on request



MATERIALS	
ZC	HDG
04	STAINLESS STEEL AISI 304L
16	STAINLESS STEEL AISI 316L

OUTSIDE ELBOWS 45° (PK)							
CODE			DIMENSIONS (mm)			THICKNESS (mm)	WEIGHT (Kg/mt)
GROUP	MATERIAL	TYPE	A	H	R		
PK	ZC	D45	100	100	600	1,5	2,40
PK	ZC	D45	150	100	600	1,5	2,50
PK	ZC	D45	200	100	600	1,5	2,70
PK	ZC	D45	300	100	600	1,5	3,00
PK	ZC	D45	400	100	600	1,5	3,30
PK	ZC	D45	450	100	600	1,5	3,50
PK	ZC	D45	500	100	600	1,5	3,60
PK	ZC	D45	600	100	600	1,5	3,90

COVERS				
CODE		DIMENSIONS (mm)	THICKNESS (mm)	WEIGHT (Kg/pcs)
GROUP		A		
CA ZC D45		100	1	0,70
CA ZC D45		150	1	1,00
CA ZC D45		200	1	1,20
CA ZC D45		300	1	1,80
CA ZC D45		400	1	2,30
CA ZC D45		450	1	2,50
CA ZC D45		500	1	2,80
CA ZC D45		600	1	3,30

Other dimensions, thickness and bend radius are on request