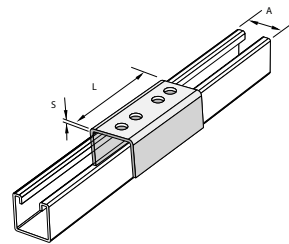


PROFILE STRAIGHT JOINTS						
CODE			DIMENSIONS (mm)		THICKNESS (mm)	WEIGHT (Kg/pcs)
GROUP	MATERIAL	TYPE	A	L		
AC	ZC	LGR 000000 0000 00	40	~ 190	6	0,33

MATERIALS	
ZC	HDG
04	STAINLESS STEEL AISI 304L
16	STAINLESS STEEL AISI 316L

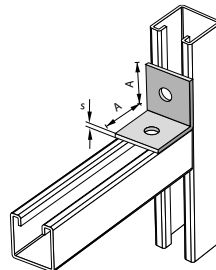
N° 4 anchor head nuts and related screw are necessary for fixing



PROFILE REINFORCED STRAIGHT JOINTS						
CODE			DIMENSIONS (mm)		THICKNESS (mm)	WEIGHT (Kg/pcs)
GROUP	MATERIAL	TYPE	A	L		
AC	ZC	LGS 000000 0000 00	40	~ 190	6	1,01

MATERIALS	
ZC	HDG
04	STAINLESS STEEL AISI 304L
16	STAINLESS STEEL AISI 316L

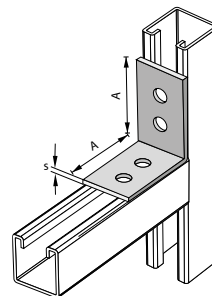
N° 4 anchor head nuts and related screw are necessary for fixing



PROFILE CORNER JOINTS						
CODE			DIMENSIONS (mm)		THICKNESS (mm)	WEIGHT (Kg/pcs)
GROUP	MATERIAL	TYPE	A			
AC	ZC	ACK 000000 0000 00	~ 50		6	0,15

MATERIALS	
ZC	HDG
04	STAINLESS STEEL AISI 304L
16	STAINLESS STEEL AISI 316L

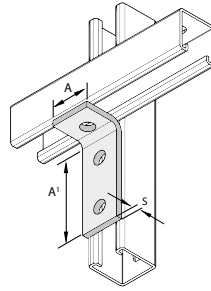
N° 2 anchor head nuts and related screw are necessary for fixing



PROFILE CORNER JOINTS						
CODE			DIMENSIONS (mm)		THICKNESS (mm)	WEIGHT (Kg/pcs)
GROUP	MATERIAL	TYPE	A			
AC	ZC	ACD 000000 0000 00	~ 100		6	0,33

MATERIALS	
ZC	HDG
04	STAINLESS STEEL AISI 304L
16	STAINLESS STEEL AISI 316L

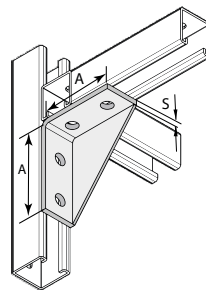
N° 4 anchor head nuts and related screw are necessary for fixing



PROFILE CORNER JOINTS						
CODE			DIMENSIONS (mm)		THICKNESS (mm)	WEIGHT (Kg/pcs)
GROUP	MATERIAL	TYPE	A	A'		
AC	ZC	ACL 000000 0000 00	50	100	6	0,24

MATERIALS	
ZC	HDG
04	STAINLESS STEEL AISI 304L
16	STAINLESS STEEL AISI 316L

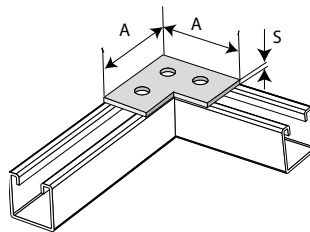
N° 3 anchor head nuts and related screw are necessary for fixing



REINFORCED PROFILE CONNECTION ANGLE					
CODE			DIMENSIONS (mm)	THICKNESS (mm)	WEIGHT (Kg/pcs)
GROUP	MATERIAL	TYPE	A		
AC	ZC	ACR 000000 0000 00	~ 100	6	0,57

MATERIALS	
ZC	HDG
04	STAINLESS STEEL AISI 304L
16	STAINLESS STEEL AISI 316L

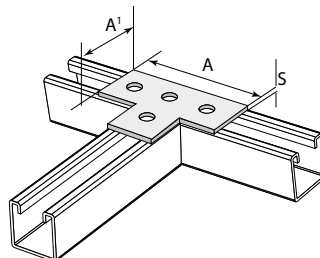
N° 4 anchor head nuts and related screw are necessary for fixing



L PROFILE JOINTS					
CODE			DIMENSIONS (mm)	THICKNESS (mm)	WEIGHT (Kg/pcs)
GROUP	MATERIAL	TYPE	A		
AC	ZC	PAL 0000000	~ 90	6	0,26

MATERIALS	
ZC	HDG
04	STAINLESS STEEL AISI 304L
16	STAINLESS STEEL AISI 316L

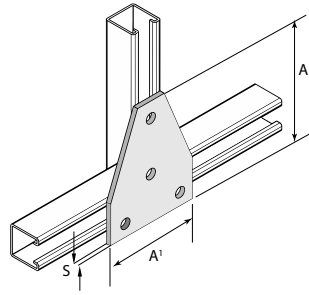
N° 3 anchor head nuts and related screw are necessary for fixing



PROFILE CORNER JOINTS						
CODE			DIMENSIONS (mm)		THICKNESS (mm)	WEIGHT (Kg/pcs)
GROUP	MATERIAL	TYPE	A	A'		
AC	ZC	PAT 000000 0000 00	~ 140	90	6	0,35

MATERIALS	
ZC	HDG
04	STAINLESS STEEL AISI 304L
16	STAINLESS STEEL AISI 316L

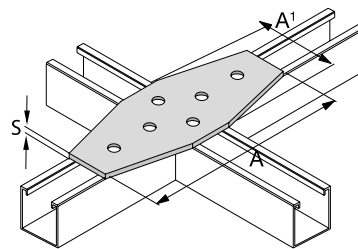
N° 4 anchor head nuts and related screw are necessary for fixing



T PROFILE PLATE						
CODE			DIMENSIONS (mm)		THICKNESS (mm)	WEIGHT (Kg/pcs)
GROUP	MATERIAL	TYPE	A	A <sup>1</sup>		
AC	ZC	PTR 000000 0000 00	140	90	6	0,32

MATERIALS	
ZC	HDG
04	STAINLESS STEEL AISI 304L
16	STAINLESS STEEL AISI 316L

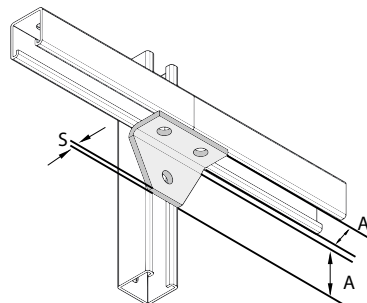
N° 4 anchor head nuts and related screw are necessary for fixing



X PROFILE PLATE						
CODE			DIMENSIONS (mm)		THICKNESS (mm)	WEIGHT (Kg/pcs)
GROUP	MATERIAL	TYPE	A	A <sup>1</sup>		
AC	ZC	PAX 000000 0000 00	232	82	6	0,60

MATERIALS	
ZC	HDG
04	STAINLESS STEEL AISI 304L
16	STAINLESS STEEL AISI 316L

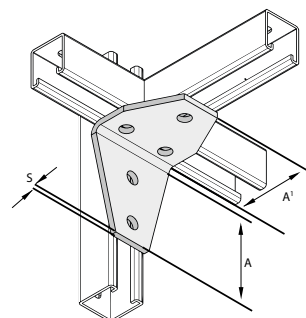
N° 6 anchor head nuts and related screw are necessary for fixing



BENT PROFILE PLATE						
CODE			DIMENSIONS (mm)		THICKNESS (mm)	WEIGHT (Kg/pcs)
GROUP	MATERIAL	TYPE	A	A <sup>1</sup>		
AC	ZC	PCP 00000000	60	40	6	0,32

MATERIALS	
ZC	HDG
04	STAINLESS STEEL AISI 304L
16	STAINLESS STEEL AISI 316L

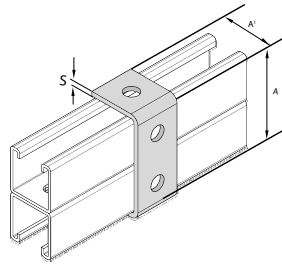
N° 3 anchor head nuts and related screw are necessary for fixing



BENT PROFILE PLATE						
CODE			DIMENSIONS (mm)		THICKNESS (mm)	WEIGHT (Kg/pcs)
GROUP	MATERIAL	TYPE	A	A <sup>1</sup>		
AC	ZC	PCG 000000 0000 00	106	90	6	0,64

MATERIALS	
ZC	HDG
04	STAINLESS STEEL AISI 304L
16	STAINLESS STEEL AISI 316L

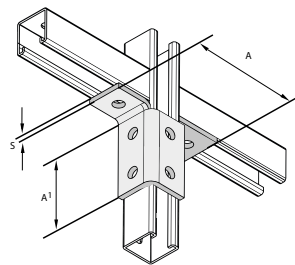
N° 5 anchor head nuts and related screw are necessary for fixing



C PROFILE PLATE						
CODE			DIMENSIONS (mm)		THICKNESS (mm)	WEIGHT (Kg/pcs)
GROUP	MATERIAL	TYPE	A	A'		
AC	ZC	PCC 000000 0000 00	90	47	6	0,31

MATERIALS	
ZC	HDG
04	STAINLESS STEEL AISI 304L
16	STAINLESS STEEL AISI 316L

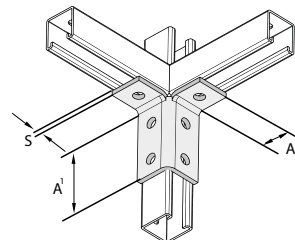
N° 2 anchor head nuts and related screw are necessary for fixing



CONNECTION PROFILE PLATE						
CODE			DIMENSIONS (mm)		THICKNESS (mm)	WEIGHT (Kg/pcs)
GROUP	MATERIAL	TYPE	A	A'		
AC	ZC	PCT 000000 0000 00	148	100	6	0,57

MATERIALS	
ZC	HDG
04	STAINLESS STEEL AISI 304L
16	STAINLESS STEEL AISI 316L

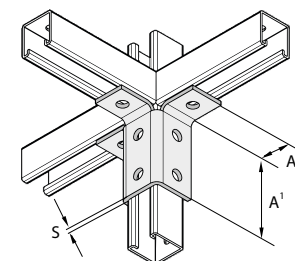
N° 4 anchor head nuts and related screw are necessary for fixing



CONNECTION PROFILE PLATE						
CODE			DIMENSIONS (mm)		THICKNESS (mm)	WEIGHT (Kg/pcs)
GROUP	MATERIAL	TYPE	A	A'		
AC	ZC	PCL 000000 0000 00	47	100	6	0,26

MATERIALS	
ZC	HDG
04	STAINLESS STEEL AISI 304L
16	STAINLESS STEEL AISI 316L

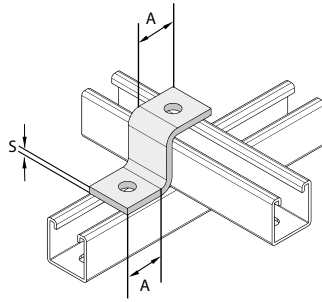
N° 4 anchor head nuts and related screw are necessary for fixing



CONNECTION PROFILE PLATE						
CODE			DIMENSIONS (mm)		THICKNESS (mm)	WEIGHT (Kg/pcs)
GROUP	MATERIAL	TYPE	A	A'		
AC	ZC	PCX 000000 0000 00	47	100	6	0,35

MATERIALS	
ZC	HDG
04	STAINLESS STEEL AISI 304L
16	STAINLESS STEEL AISI 316L

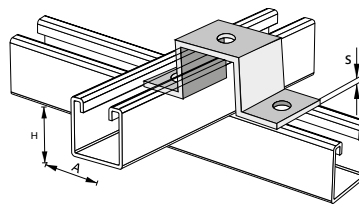
N° 5 anchor head nuts and related screw are necessary for fixing



Z PROFILE PLATE						
CODE			DIMENSIONS (mm)		THICKNESS (mm)	WEIGHT (Kg/pcs)
GROUP	MATERIAL	TYPE	A			
AC	ZC	PCZ 047047 0000 00	47		6	0,24

MATERIALS	
ZC	HDG
04	STAINLESS STEEL AISI 304L
16	STAINLESS STEEL AISI 316L

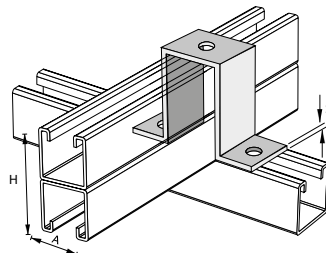
N° 2 anchor head nuts and related screw are necessary for fixing



CLAMP FOR PROFILES FASTENING						
CODE			DIMENSIONS (mm)		THICKNESS (mm)	WEIGHT (Kg/pcs)
GROUP	MATERIAL	TYPE	A	H		
AC	ZC	CFC 041021 0000 00	41	21	6	0,29
AC	ZC	CFC 041041 0000 00	41	41	6	0,37

MATERIALS	
ZC	HDG
04	STAINLESS STEEL AISI 304L
16	STAINLESS STEEL AISI 316L

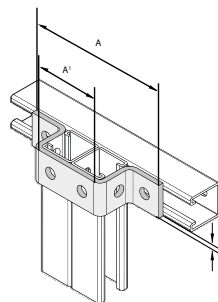
N° 3 anchor head nuts and related screw are necessary for fixing



CLAMP FOR DOUBLE PROFILE FASTENING						
CODE			DIMENSIONS (mm)		THICKNESS (mm)	WEIGHT (Kg/pcs)
GROUP	MATERIAL	TYPE	A	H		
AC	ZC	CFD 041042 0000 00	41	42	6	0,37
AC	ZC	CFD 041082 0000 00	41	82	6	0,45

MATERIALS	
ZC	HDG
04	STAINLESS STEEL AISI 304L
16	STAINLESS STEEL AISI 316L

N° 3 anchor head nuts and related screw are necessary for fixing



CLAMP FOR DOUBLE PROFILE FASTENING						
CODE			DIMENSIONS (mm)		THICKNESS (mm)	WEIGHT (Kg/pcs)
GROUP	MATERIAL	TYPE	A	A¹		
AC	ZC	CFR 082041 0000 00	175	82	6	0,45

MATERIALS	
ZC	HDG
04	STAINLESS STEEL AISI 304L
16	STAINLESS STEEL AISI 316L

N° 4 anchor head nuts and related screw are necessary for fixing