



Gas explosion execution:

Ex d IIC T6 Gb
(suitable for Zone 1 and Zone 2)

Dust explosion execution:

Ex tb IIIC T80°C Db IP66
(suitable for Zone 21 and Zone 22)

Degree of protection: IP66

Applicable standards:

EN 60079-0 ; EN 60079-1 ; EN 60079-31

Earthing protection:

M5 (internal and external earth bolts)

Power controller:

Wide voltage input, CC-CV
(constant current – constant voltage)
output, power factor ≥ 0.98 , with function
of distributed current, constant current,
surge-proof and anti-electromagnetic
interference, protection against
overcurrent, open circuit and short circuit.

Lamp power:

9W x 1 ; 9W x 2 ; 18W x 1 ; 18W x 2

Rated voltage: 110 ÷ 265V 50/60Hz

Terminals: 3 x 1,5 ÷ 4 sqmm (L+N+PE)

Cable entries: 2 x M25

Ambient temperature: -40°C / +55°C

Material:

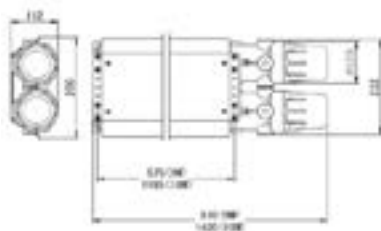
Enclosure - Copper free aluminium,
powder coated surface yellow colour
RAL 1021

Glass tube - Toughened glass
Wire guard (optional) - Powder coated
carbon steel (white) or stainless steel
Exposed fastener - Stainless steel

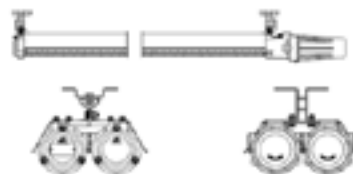
Mounting: Ceiling type; pole type

CODE	LAMP POWER (W)	WEIGHT (Kg)	MOUNTING
04.01.06.01.04.00000	9 x 1	5.50	CEILING
04.01.06.01.04.00001	9 x 1	5.90	POLE
04.01.06.01.04.00002	9 x 2	9.80	CEILING
04.01.06.01.04.00003	9 x 2	10.50	POLE
04.01.06.01.04.00004	18 x 1	8.30	CEILING
04.01.06.01.04.00005	18 x 1	8.70	POLE
04.01.06.01.04.00006	18 x 2	15.70	CEILING
04.01.06.01.04.00007	18 x 2	16.49	POLE

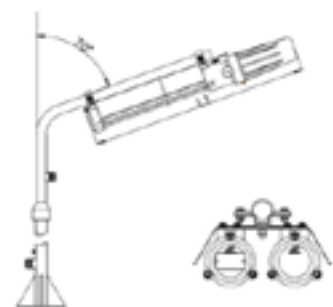
EVF-LED X2



EVF-LED explosion-proof light fittings for fluorescent lamp (double-tube, ceiling type)



EVF-LED explosion-proof light fittings for fluorescent lamp (double-tube, pole type)



Explosion-proof lighting fixture for tubular fluorescent lamp



Gas explosion execution:

Ex d IIC T6 Gb
(suitable for Zone 1 and Zone 2)

Dust explosion execution:

Ex tb IIIC T80°C Db IP66
(suitable for Zone 21 and Zone 22)

Degree of protection: IP66

Applicable standards:

EN 60079-0 ; EN 60079-1 ; EN 60079-31

Earthing protection:

M5 (internal and external earth bolts)

Ballast:

Electronic ballast, wide voltage range, rapid starting, stable performance, power factor ≥ 0.95 . End of lamp life (EOL) rectification effect protection.

Lamp specification:

Fluorescent tubular lamp T8 (supplied with the lighting fixture).

Lamp power:

18W x 1 ; 18W x 2 ; 36W x 1 ; 36W x 2 ; 58W x 1 ; 58W x 2

Rated voltage: 100 ÷ 300V 50/60Hz

Terminals: 3 x 1,5 ÷ 4 sqmm (L+N+PE)

Cable entries: 2 x M25 (4 x M25 emergency version)

Ambient temperature: -20°C / +55°C

Material:

Enclosure - Copper free aluminium, powder coated surface yellow colour RAL 1021

Glass tube - Toughened glass
Wire guard (optional) - Powder coated carbon steel (white) or stainless steel
Exposed fastener - Stainless steel

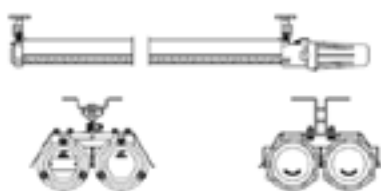
Mounting: Ceiling type; pole type

CODE	LAMP POWER (W)	WEIGHT (Kg)	MOUNTING
04.01.02.01.04.00000	18 x 1	5.60	CEILING
04.01.02.01.04.00001	18 x 1	6.50	POLE
04.01.02.01.04.00002	36 x 1	8.80	CEILING
04.01.02.01.04.00003	36 x 1	9.30	POLE
04.01.02.01.04.00004	58 x 1	10.40	CEILING
04.01.02.01.04.00005	58 x 1	10.85	POLE
04.01.02.01.04.00006	18 x 2	10.60	CEILING
04.01.02.01.04.00007	18 x 2	11.55	POLE
04.01.02.01.04.00008	36 x 2	16.30	CEILING
04.01.02.01.04.00009	36 x 2	16.85	POLE
04.01.02.01.04.00010	58 x 2	18.30	CEILING
04.01.02.01.04.00011	58 x 2	19.20	POLE

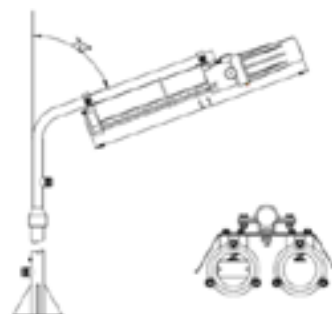
CODE (Emergency version)	LAMP POWER (W)	WEIGHT (Kg)	MOUNTING
04.01.02.01.04.00012	18 x 2	14.50	CEILING
04.01.02.01.04.00013	36 x 2	20.20	POLE
04.01.02.01.04.00014	58 x 2	22.20	CEILING
04.01.02.01.04.00015	18 x 2	14.60	POLE
04.01.02.01.04.00016	36 x 2	20.30	CEILING
04.01.02.01.04.00017	58 x 2	22.30	POLE

Note: Emergency lighting time 120 min (optionally 180 min)

EVF explosion-proof light fittings for fluorescent lamp (double-tube, ceiling type)



EVF explosion-proof light fittings for fluorescent lamp (double-tube, pole type)





Gas explosion execution:

II 2 G Ex d IIC T6/T5 Gb
(suitable for Zone 1 and Zone 2)

Dust explosion execution:

II 2 D Ex t IIIC T80°C/T95°C Db IP66
(suitable for Zone 21 and Zone 22)

Degree of protection: IP66

Applicable standards:

EN 60079-0: 2009; EN 60079-1: 2007;
EN 60079-31: 2009; IEC 60079-0: 2007;
IEC 60079-1: 2007; IEC 60079-31: 2008

Earthing protection:

M5 (internal and external earth bolts)

Power controller:

Wide voltage input, CC-CV
(constant current – constant voltage)
output, power factor ≥ 0.98 , with function of
distributed current, constant current, surge-
proof and anti-electromagnetic interference,
protection against overcurrent, open circuit
and short circuit.

Lamp power:

20W, 30W, 50W, 70W, 100W, 120W

Rated voltage: 187 ÷ 265V AC 50/60Hz

Terminals: 3 x 1,5 ÷ 4 sqmm (L+N+PE)

Cable entries:

30W type: G3/4" (NPT 3/4" or M25 x 1.5 with
reducer on request)

70/120W type:

1 x G3/4" (pendant pole type and hook type)

4 x M25x1.5 (wall type and ceiling type)

1 x G1" (pole type)

Ambient temperature:

-40°C / +55°C: T5/T95°C

-40°C / +40°C: T6/T80°C

Material:

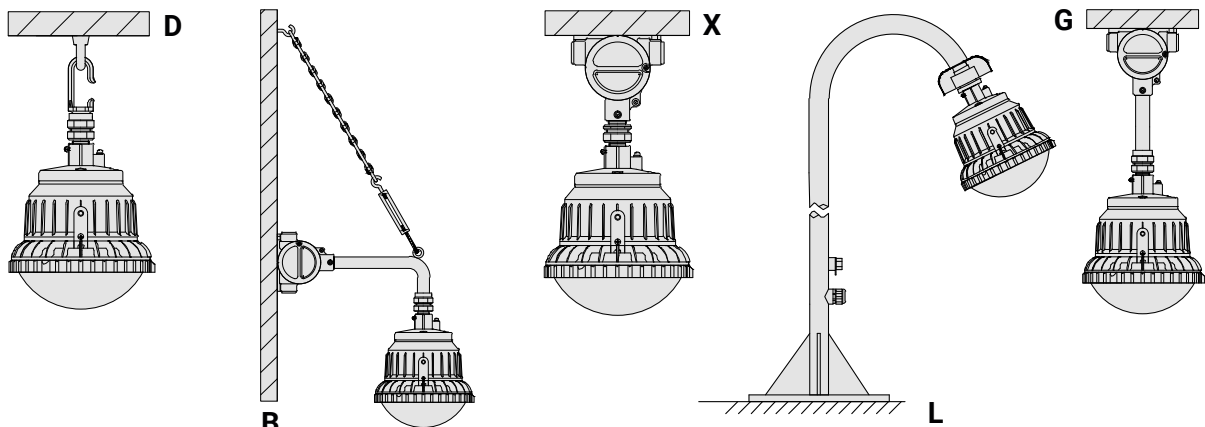
Enclosure - Copper free aluminium,
powder coated surface yellow colour
RAL 1021

Toughened glass

Exposed fastener - Stainless steel

Mounting: Ceiling type; pole type;
pendant pole type; wall type; hook type

CODE	LAMP POWER (W)	WEIGHT (Kg)	MOUNTING
04.01.06.01.04.00016	20, 30	3,64	D: HOOK
04.01.06.01.04.00017	20, 30	4,05	X: CEILING
04.01.06.01.04.00018	20, 30	4,45	G: PENDANT
04.01.06.01.04.00019	20, 30	3,25	L: POLE
04.01.06.01.04.00020	20, 30	4,42	B: WALL
04.01.06.01.04.00021	50, 70	6,50	D: HOOK
04.01.06.01.04.00022	50, 70	7,40	X: CEILING
04.01.06.01.04.00023	50, 70	7,80	G: PENDANT
04.01.06.01.04.00024	50, 70	7,70	L: POLE
04.01.06.01.04.00025	50, 70	9,20	B: WALL
04.01.06.01.04.00026	100, 120	7,50	D: HOOK
04.01.06.01.04.00027	100, 120	8,40	X: CEILING
04.01.06.01.04.00028	100, 120	8,80	G: PENDANT
04.01.06.01.04.00029	100, 120	8,70	L: POLE
04.01.06.01.04.00030	100, 120	10,20	B: WALL





Execution:

II 2 G Ex d IIB T6

Degree of protection: IP66

Power supply (neon):

electronic ballast 230V/240V 50/60Hz
(cos p ≥ 0,98)

Power supply (LED):

electronic ballast 230V/240V 50/60Hz
(always on - maintained)
electronic ballast 120V/240V 50/60Hz
(network only – not maintained)

Lampholder: G5 cap (fluorescent lamp only)

Terminals: suitable up to 4sq/mm cables

Cable entries: 3/4" NPT c/w cable gland

Internal wiring: high-temperature resistant
silicon rubber insulation cables

Emergency unit: emergency unit for
maintained and not maintained (see
technical data)

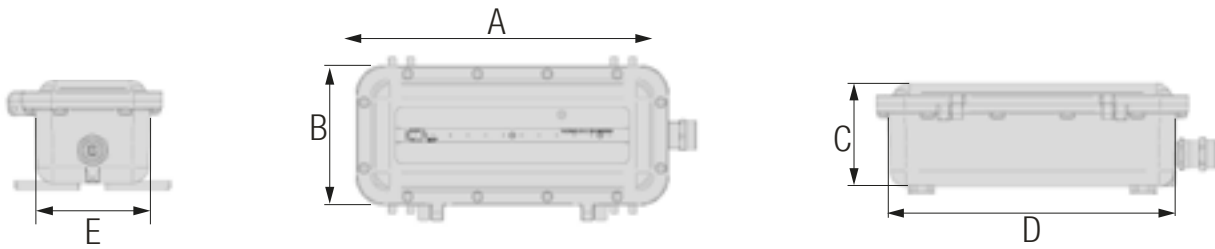
Ambient temperature: -60°C / +60°C

Material:

Body - copper free aluminium with
external epoxy powder paint RAL 9006
Diffuser - tempered front glass
External screws - stainless steel
Reflector -white stove enamelled sheet
steel

Installation area: Zone 1 - 2 (Gas)
Zone 21 - 22 (Dust)

CODE	LAMP POWER (W)	FUNCTIONAL FEATURES	EMERGENCY UNIT	AUTONOMY (Hours)
04.01.02.01.04.00018	8	Network only: 8W fluorescent lamp and electronic ballast 230V/240V 50/60Hz.	NO	-
04.01.02.01.04.00019	8	Emergency Only (not maintained)	3,6V - 2A/h	3
04.01.02.01.04.00020	8	Emergency Only (maintained)	3,6V - 4A/h	3



CODE	POWER SUPPLY	LAMP POWER (W)	mA (LED)	FUNCTIONAL FEATURES	EMERGENCY UNIT	AUTONOMY (Hour)
04.01.06.01.04.00012	120 ÷ 240V AC/DC	4,8	350	Network only: with high brightness LEDs (350mA - 4,8W) supply from 120V up to 240V AC/DC.	NO	-
04.01.06.01.04.00013	230 ÷ 240V AC	1,1	350	Emergency only - not maintained: with high brightness LEDs (350mA - 1,1W) supply from 230V/240V AC and 6V - 2Ah emergency unit complete with charge status monitor LED system (RED: battery under charging - GREEN: battery loaded).	3,6V - 2A/h	3
04.01.06.01.04.00014	120 ÷ 240V AC/DC	9,16	350	Network only: with high brightness LEDs (350mA - 4,8W) supply from 120V up to 240V AC/DC.	NO	-
04.01.06.01.04.00015	100 ÷ 240V AC	4,8	350	Always on - maintained: with high brightness LEDs (350mA - 4,8W) supply from 100V up to 240V AC and 6V - 2Ah emergency unit complete with charge status monitor LED system (RED: battery under charging - GREEN: battery loaded).	12V - 2A/h	3

ALL CODES	DIMENSIONS (mm)					CABLE ENTRY	WEIGHT (Kg)
	A	B	C	D	E		
	380	170	125	370	125		



Execution:

II 2 G Ex d IIC T4 Gb
II 2 G Ex tb IIIC T135°C

Degree of protection: IP66

Cable entries:

1/2" NPT threaded

Power supply:

32W 120 or 230 or 270 Vac 700mA,
frequency 50 ÷ 60 Hz ± 5% (4 LED)
48W 100 or 270 Vac 700mA, frequency
50 ÷ 60 Hz ± 5% (6 LED)

Lamp type:

4 LED DA 8W – minimum brightness
3500lm approx., LED type "Cold-white" –
EFFICIENCY > 83% equivalent to 400W
incandescent lamp.
6 LED DA 8W – minimum brightness
5500lm approx., LED type "Cold-white" –
EFFICIENCY > 83% equivalent to 500W
incandescent lamp.

Internal wiring: high-temperature resistant
silicon rubber insulation cables

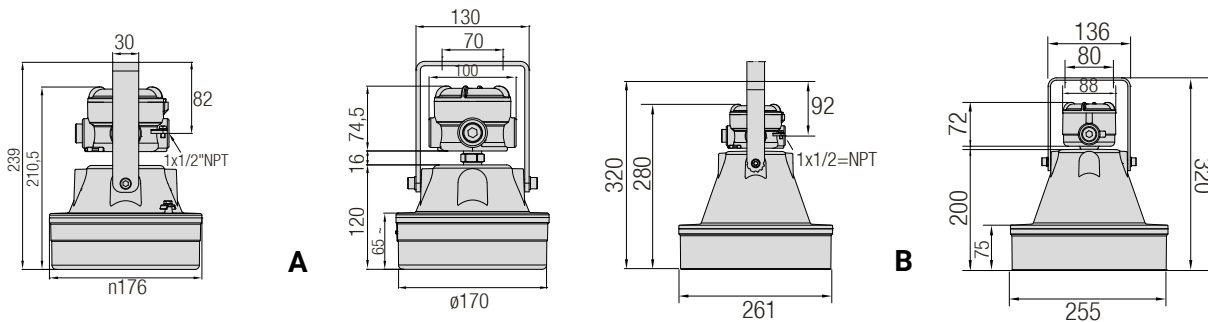
Ambient temperature: -60°C / +60°C

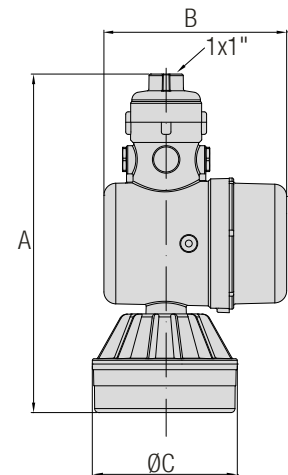
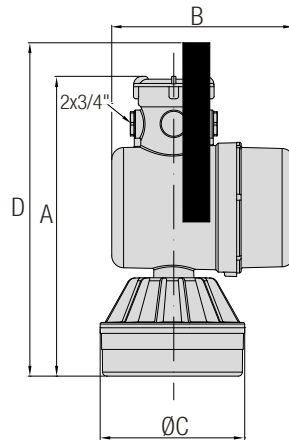
Material:

Body - copper free aluminium with
epoxy powders paint RAL 9006
Diffuser - tempered front glass
Support - adjustable type hot dip
galvanized steel
Reflector - internal polished aluminium
External screws - stainless steel
Gaskets - silicon rubber

Installation area: Zone 1 - 2 (Gas)
Zone 21 - 22 (Dust)

CODE	LED NUMBER	LAMP POWER (W)	LAMPHOLDER TYPE	CABLE ENTRY SIZE	WEIGHT (Kg)	FIGURE
04.01.06.01.04.00008	4	32	POWER LED	1 x 1/2" NPT	4,50	A
04.01.06.01.04.00009	6	48	POWER LED	1 x 1/2" NPT	7,00	B





Execution:
II 2 G Ex d IIC T4 Gb
II 2 D Ex tb IIIC T135°C Db

Degree of protection: IP66

Cable entries:
1 x 1" NPT (with pole mounting)
2 x 3/4" (with universal bracket)

Power supply: 48W 100-270 Vac 700mA,
frequency 50 ÷ 60 Hz ± 5% (6 LED)

Lamp type:
6 LED DA 8W – minimum brightness
5500lm approx., LED type "Cold-white" –
EFFICIENCY > 83% equivalent to 500W
incandescent lamp

Internal wiring: high-temperature resistant
silicon rubber insulation cables

Ambient temperature: -60°C / +60°C

Material:
Body - copper free aluminium with
epoxy powders paint RAL 9006
Globe - high-temperature resistant
borosilicate glass
External screws - stainless steel
Gaskets - silicon rubber

Installation area: Zone 1 - 2 (Gas)
Zone 21 - 22 (Dust)

CODE	LED NUMBER	LAMP POWER (W)	LAMP HOLDER TYPE	CABLE ENTRY SIZE	DIMENSIONS (mm)				WEIGHT (Kg)	FIGURE
					A	B	C	D		
04.01.06.01.04.00010	6	48	POWER LED	2 x 3/4" (staffa universale universal bracket)	360	225	176	365	6,80	A
04.01.06.01.04.00011	6	48	POWER LED	1 x 1" (attacco pastorale pole mounting)	400	225	176	-	6,80	B